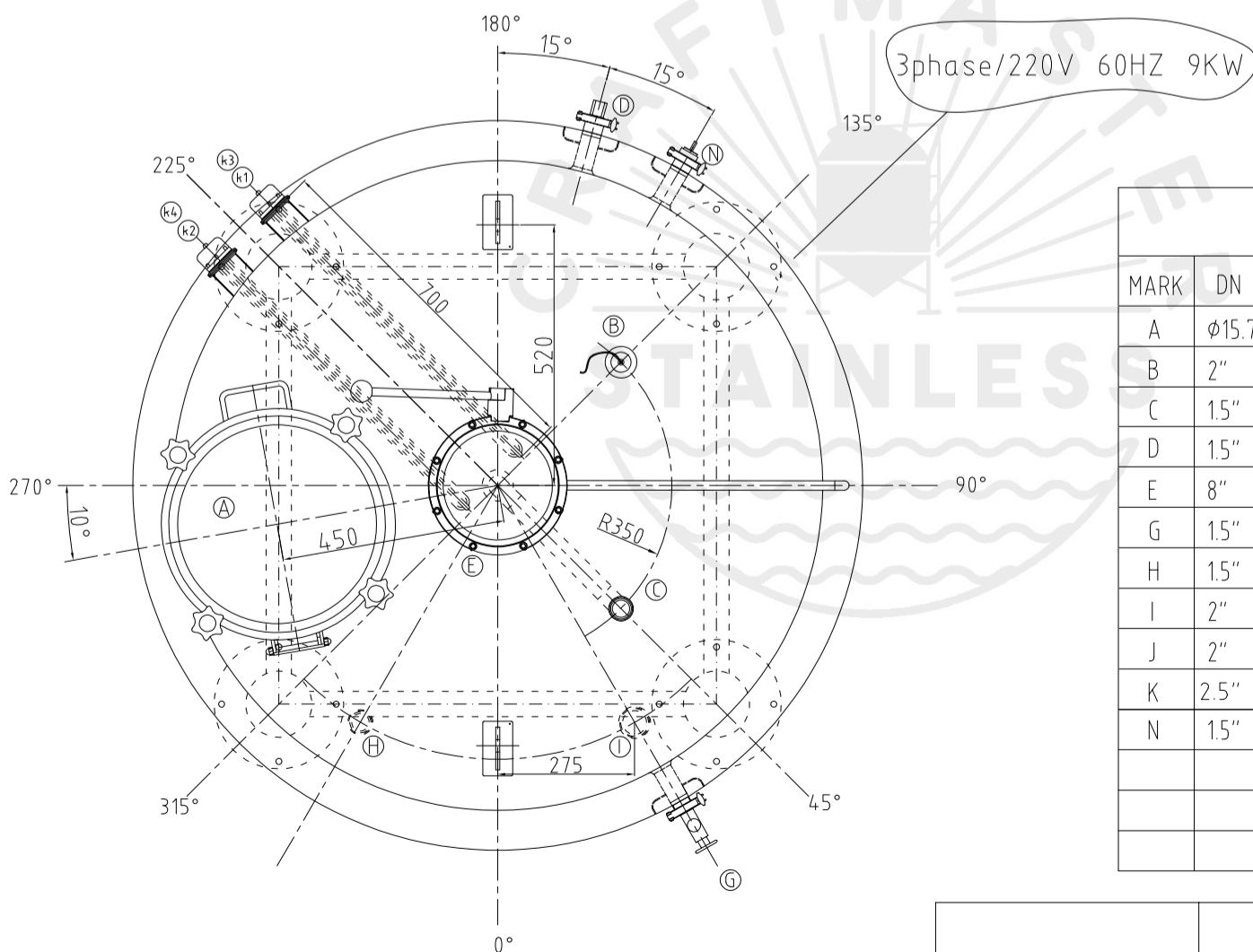
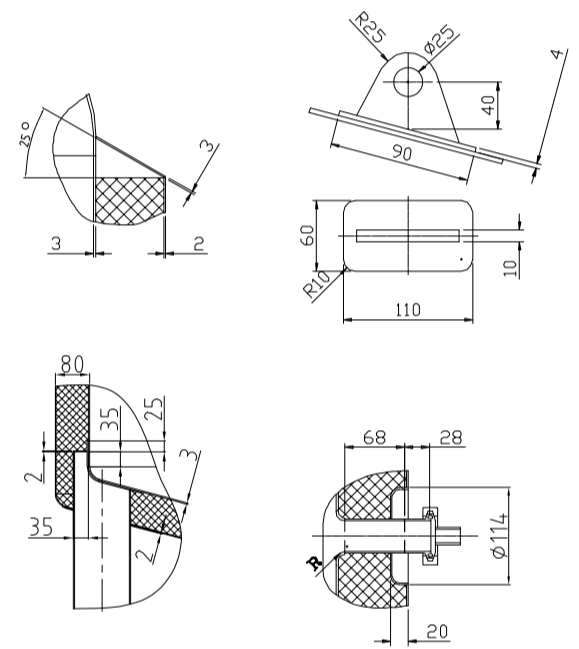
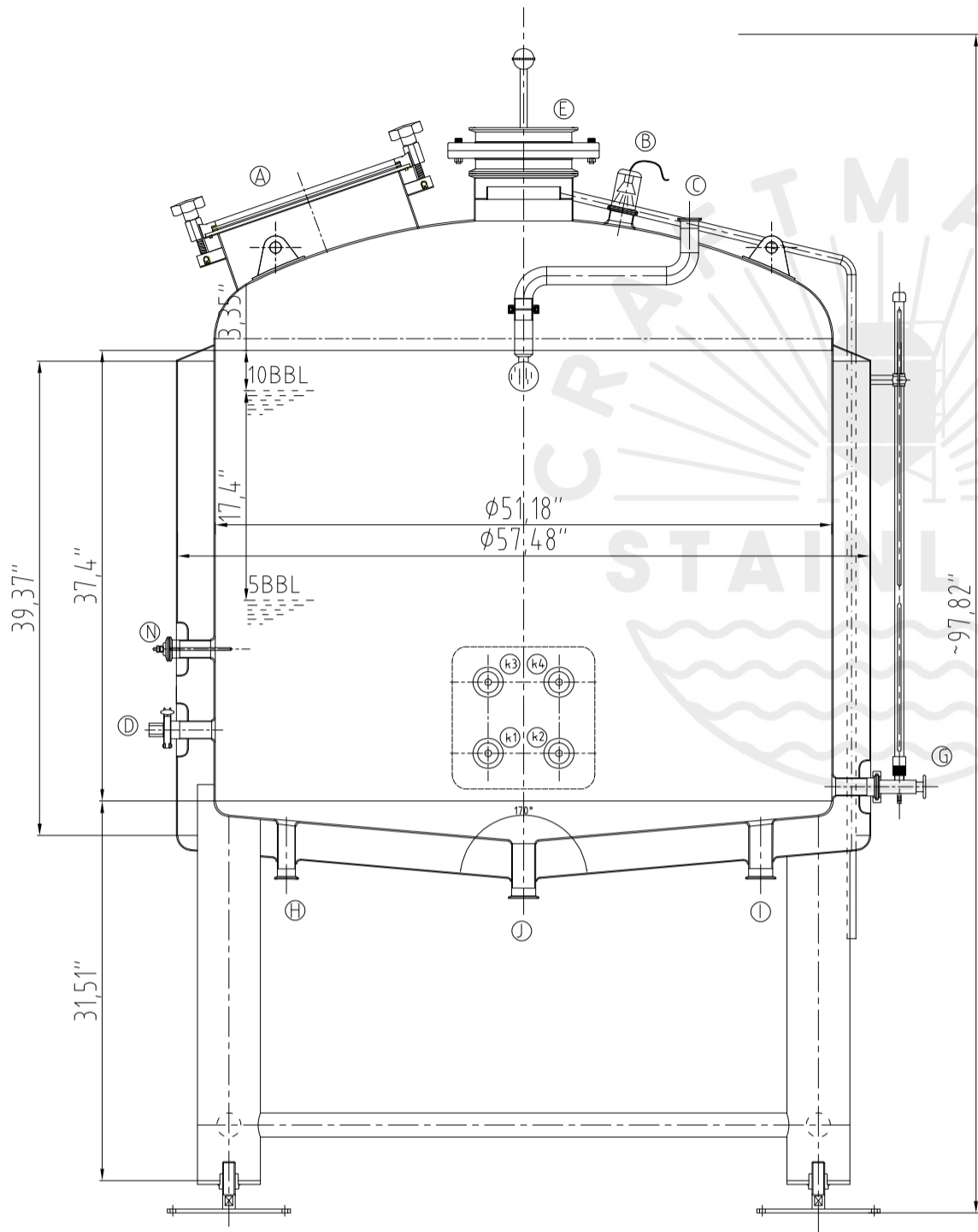


Design data

Vessel category	Normal pressure	
Description of parameter	Vessel	
Working pressure	psi	ATMP
Design pressure	psi	ATMP
Level testing pressure	psi	ATMP
Medium	Malt	
Material	SUS 304	
Working temperature	°F	15 to 250
Design temperature	°F	15 to 250
Gross volume	BBL	13
Net volume	BBL	10
Heat exchanger area	m2	-----
Glycol Jacket Max Volume	Gallon	-----
Insulation material	Chloride Free Polyurethane	
Insulation thickness	mm	80
Total Tank Weight Empty	lbs	830
Total Tank Weight Full	lbs	3415



CONNECTIONS

MARK	DN	DESCRIPTION	CONNECT SIZE	REMARKS
A	φ15.7"	Manway	φ15.7"	ISO
B	2"	Light	2"	ISO
C	1.5"	CIP APM FERRULE	1.5"	ISO
D	1.5"	TEMPERATURE CONN	1.5"	NPT
E	8"	EXHAUST CAP	8"	ISO
G	1.5"	LEVEL GAGE	1.5"	ISO
H	1.5"	INLET	1.5"	ISO
I	2"	OUTLET	2"	ISO
J	2"	OUTLET	2"	ISO
K	2.5"	Heating Rod Port	2.5"	ISO
N	1.5"	Anti Dry Burning Sensor	1.5"	ISO



11/16/2022

10BBL KETTLE
[ELECTRIC]